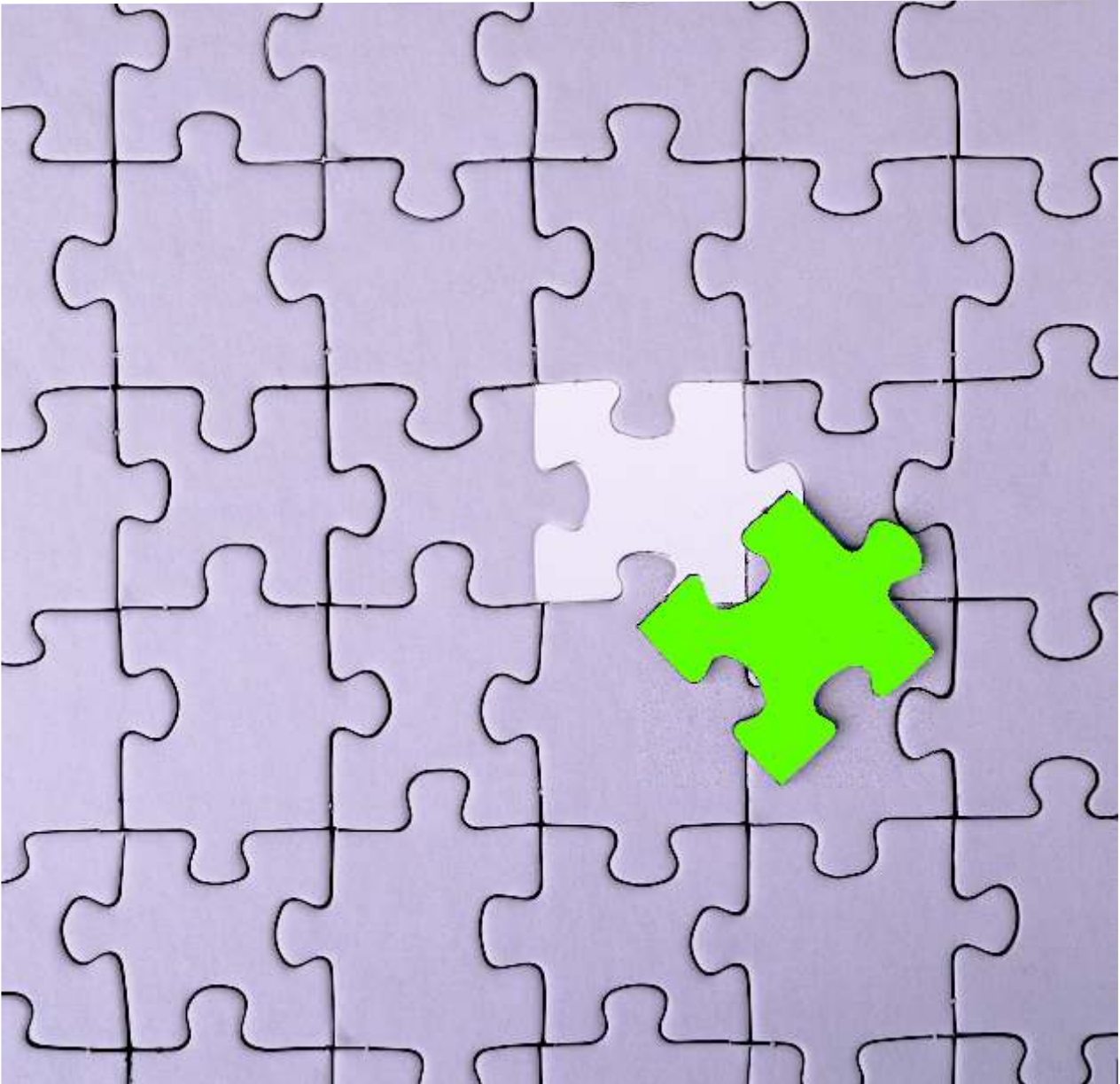


**miseco** 



**miseco** 

miseco disc

the missing puzzle part in  
the perfect production process

## **miseco disc:** **technology taken to the next logical step**

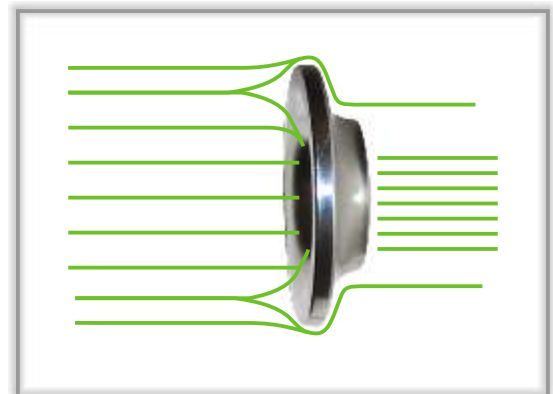
miseco GmbH has taken the innovative technology of the slowly-running stirrers to the next logical step. A new generation is born: The new miseco disc stirrer has been optimised with regard to cost efficiency, functionality and ease of cleaning. The miseco disc sets completely new standards in these disciplines.

Can be used for a broad range of applications and is inexpensive. These are the characteristics of the new stirrer. From liquid to high-viscosity media, from small containers to tanks with a capacity of 1,000,000 litres - the miseco disc offers convincing arguments with amazing stirring results. Completely homogeneous media are extremely easy to achieve, even in rectangular receptacles like IBC containers. And even small openings, e.g. 150 mm or 70 mm, are no longer a problem with the folding miseco disc C..



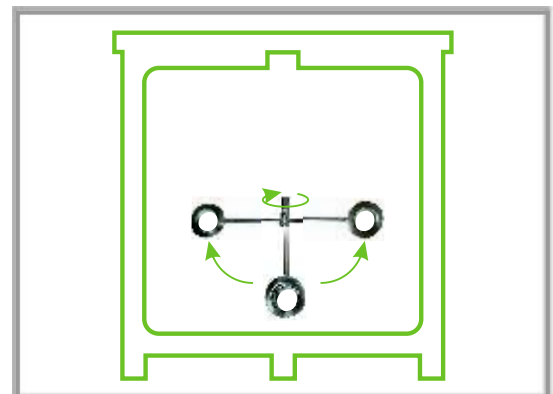
## **miseco disc:** **a small difference with a big effect**

The special geometry of the innovative stirrer ensures dynamic inherent currents of the medium. These currents put the entire contents of the container into motion. And this produces perfect homogeneous mixing results. Within an extremely short time.



## **miseco disc:** **Your advantages at a glance**

- ⊕ **Perfect homogenisation** in an extremely short time and in the entire container
- ⊕ **Gentle, low-shear stirring**
- ⊕ **No foaming**, as no air is drawn in
- ⊕ **Constant product temperature**
- ⊕ **Low energy consumption**  
thanks to low speeds and short mixing times
- ⊕ **Simple design**  
without additional built-in components (baffles, bottom bearings, etc.)
- ⊕ **Simple cleaning** due to flat design
- ⊕ **Folding system**  
for containers and barrels with 150 mm or 70 mm opening,  
Can be dismantled without tools and are easy to clean
- ⊕ **Balanced relationship** of forces and centring properties gentle to gearbox



Have we awakened your interest? We are glad about this.  
With pleasure we would present you the missing puzzle part for your success!

